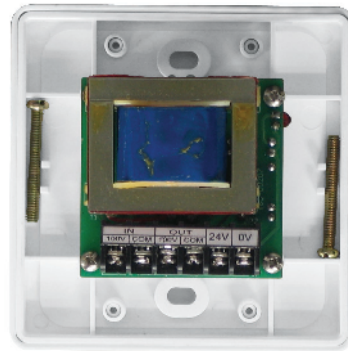


## EMV-60xx Volume Control



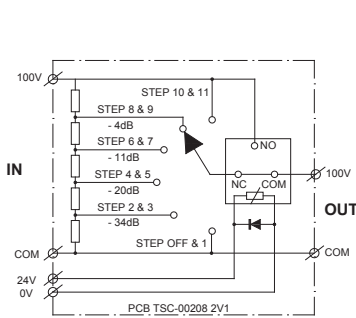
The **EMIX** volume control intended for public address application with the options of 5 watts, 10 watts, 25 watts, 50 watts and 100 watts. The size is British standard with MK1 gang plate.

The panel is made of high impact ABS plastic with white-based polycarbonate facial and reserve silkscreen of black colour marking and wording and **EMIX** logo.

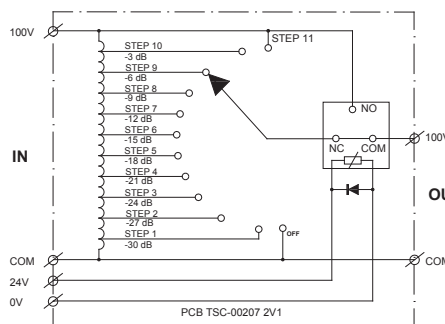
### Features

- > Built-in 24VDC override relay
- > Continuous rotating system
- > Suitable for both 3 wires and 4 wires system
- > Optional surface mounting box for M (model = EMV-7901)
- > ABS self extinguishing face plates

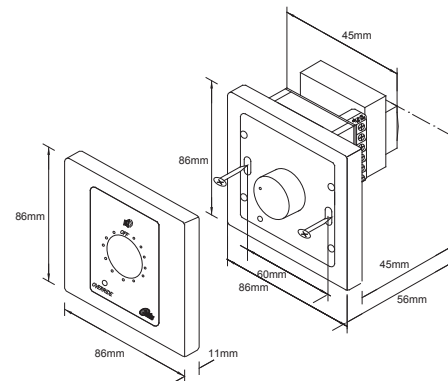
### Installation & Configuration Notes



EMV-6005  
Volume Control



EMV-6010~6100 10~100W  
Volume Control



Installation Guide Diagram

Model	EMV-6005	EMV-6010	EMV-6025	EMV-6050	EMV-6100
Power Ratings	5W	10W	25W	50W	100W
Line Voltage	100V	100V	100V	100V	100V
Current Output	100mA	100mA	100mA	100mA	100mA
Total Attenuation	34dB	30dB	30dB	30dB	30dB
Switch Position	5+ OFF	11+ Off	11+ Off	11+ Off	11+ Off
Colour	White(I0499)	White(I0499)	White(I0499)	White(I0499)	White(I0499)
Dimension (W x H x D)	86 x 88 x 28mm	86 x 86 x 45mm	86 x 86 x 45mm	86 x 86 x 45mm	86 x 86 x 45mm
Net Weight	90G	90G	90G	90G	90G